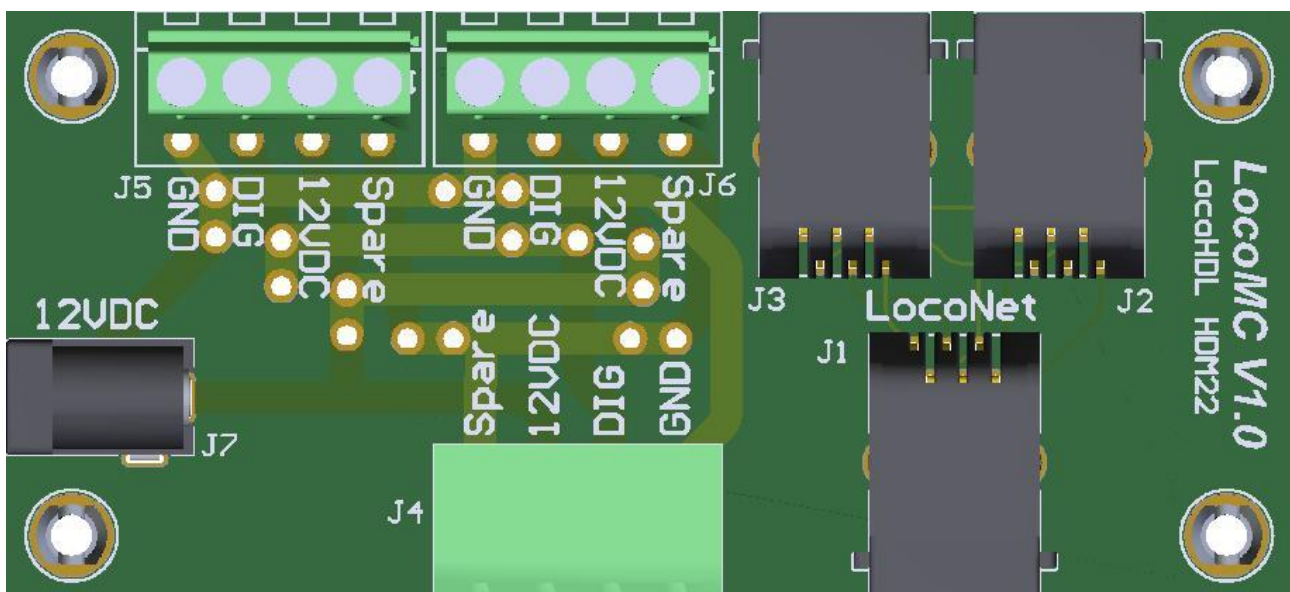


# LOCOMC

# Manual



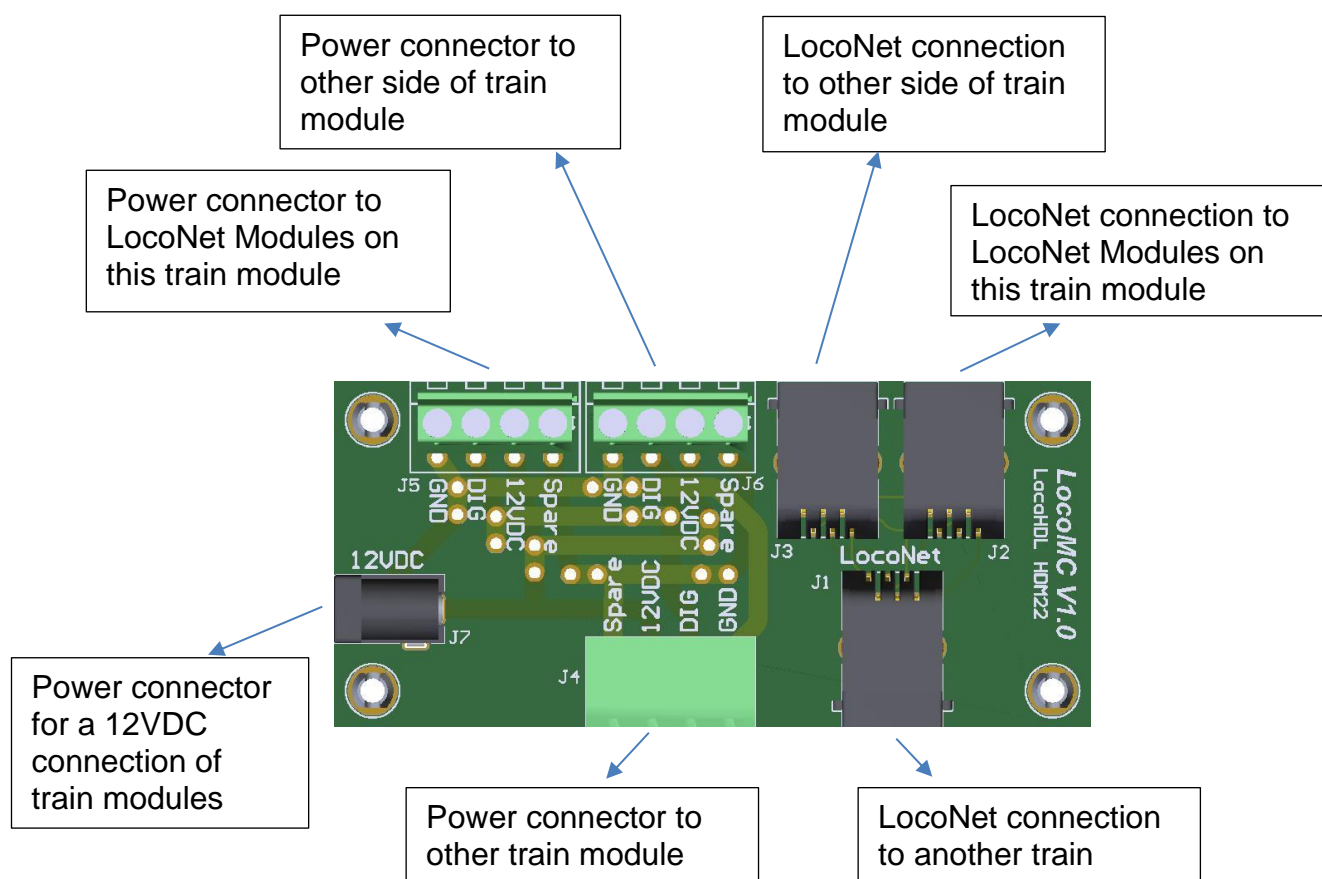
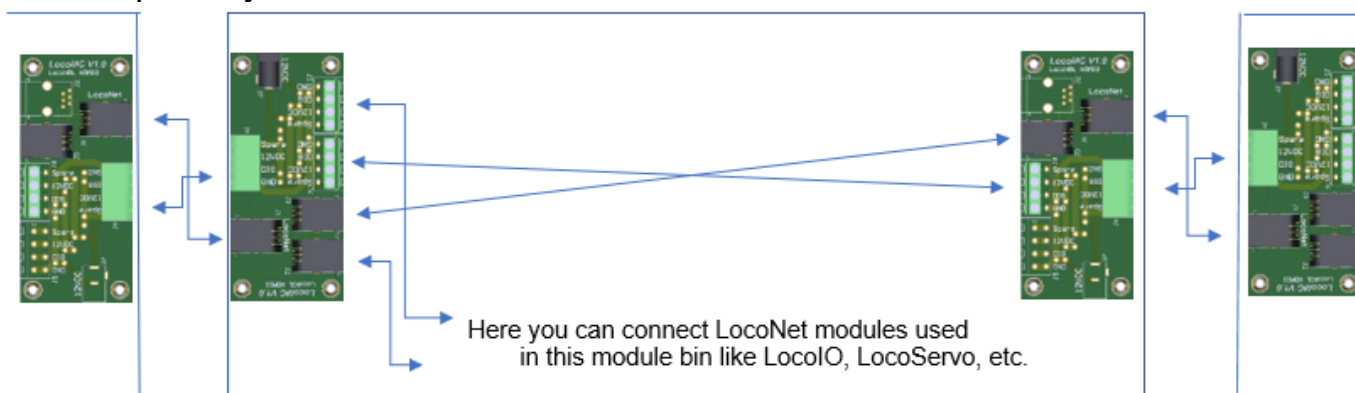
## HDM22

### **Liability disclaimer:**

Use all items that can be bought and installation instructions that can be found on this site at your own risk. They have been developed for personal use, and I find them very useful. That is why I wish to share them with other model railroad hobbyists. All items and procedures have been tested and used on my own model railroad systems without causing any damage, but this does not necessarily imply that all modifications and procedures will work in any and all environments or systems. I cannot take any responsibility when items or procedures are used under different circumstances. Always use your own judgement and common sense!

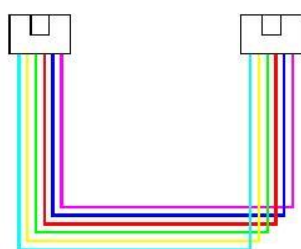
# HDM22 LocoMC

The LocoMC is a connector board that allows train module boxes to be connected in a simple way.

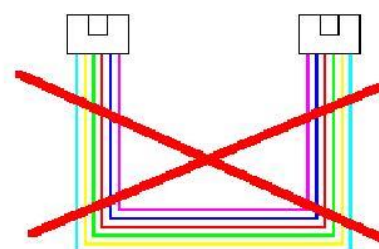


## LocoNet connection:

The connection to LocoNet is with a 6-wire cable with RJ12 connectors. Important is that on the connector on both ends of the cable the pin1 to pin1 is connected.



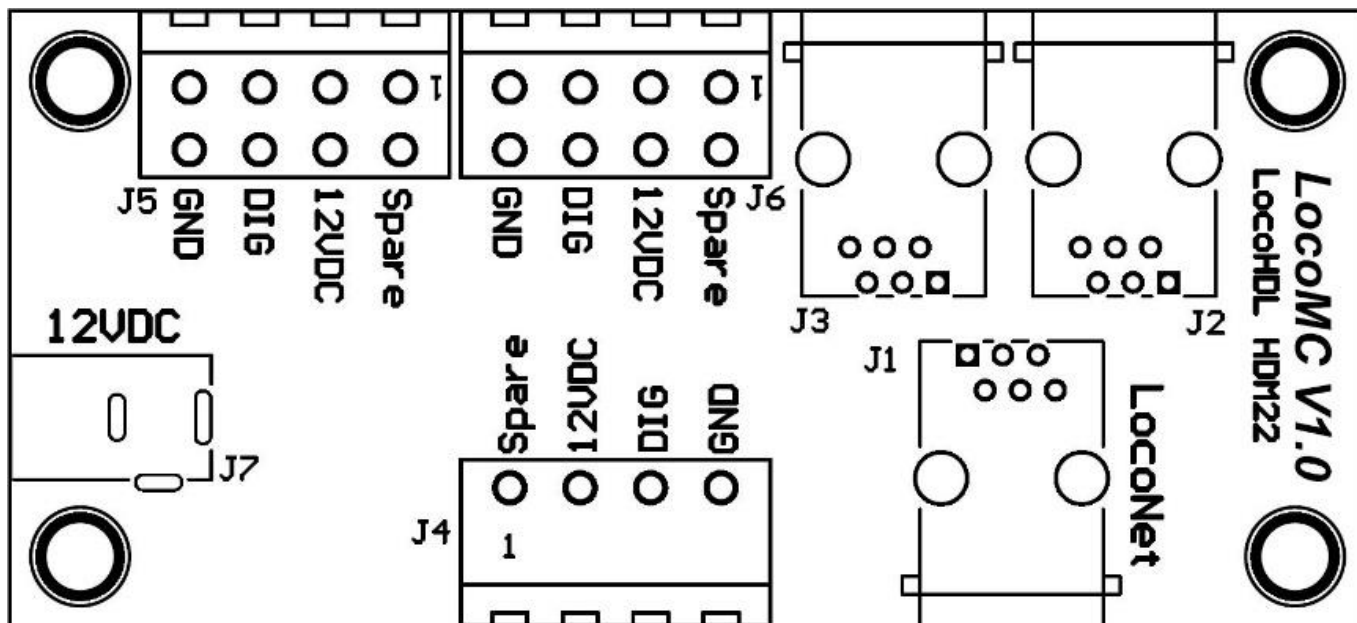
Correct



Wrong

**Bill of materials:**

Component	Value	Number	Reference
PCB	HDM22	1	
Connector	RJ12	3	J1, J2, J3
Connector TH	4 pin PCB connector (5.08)	1	J4
Connector SC	(5.08)	1	for J4
HDR_4	4-pin PCB terminal (5.08)	2	J5, J6
Connector	DC-power connector	1	J7
Spacer	Self-locking Spacer	4	

**Power connector:**

Pin 1: Spare	Can be used to make a specific connection between your module bins.
Pin 2: 12VDC	Basic connection for the power supply of LocoNet modules.
Pin 3: DIG	Digital voltage from the LocoBooster if you want to connect several module boxes with only one LocoBooster.
Pin 4: GND	The common ground of all the power supplies.